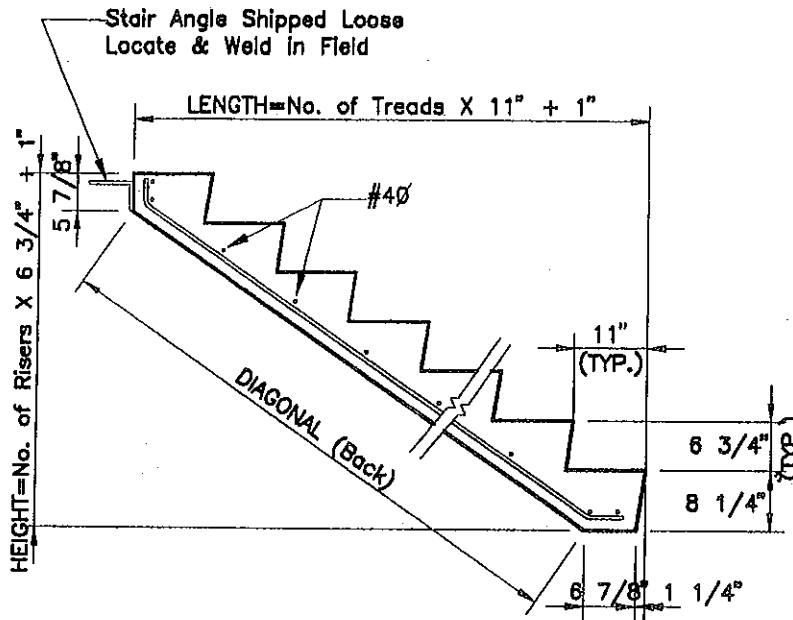


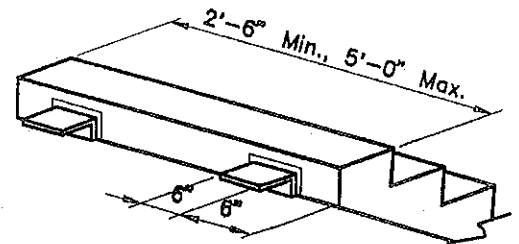
PRECAST STAIRS

WITH 11" TREAD AND 6 3/4" RISER

CORESLAB STRUCTURES

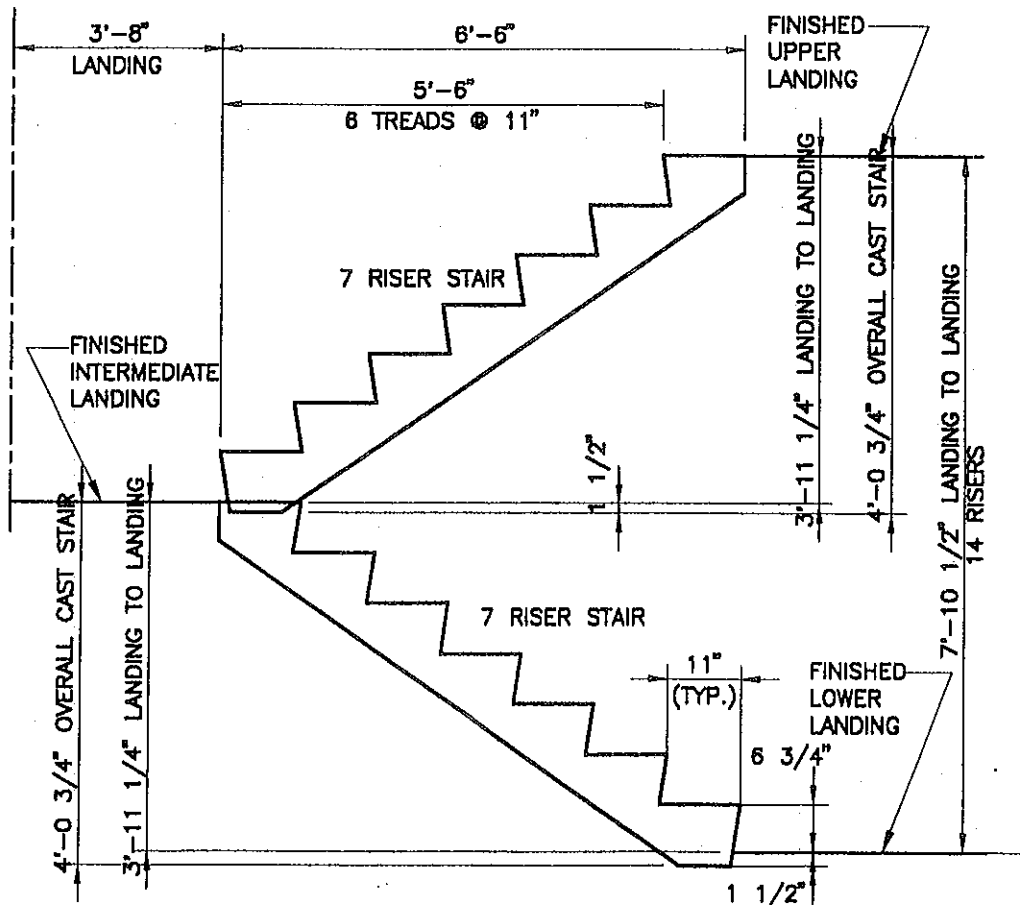
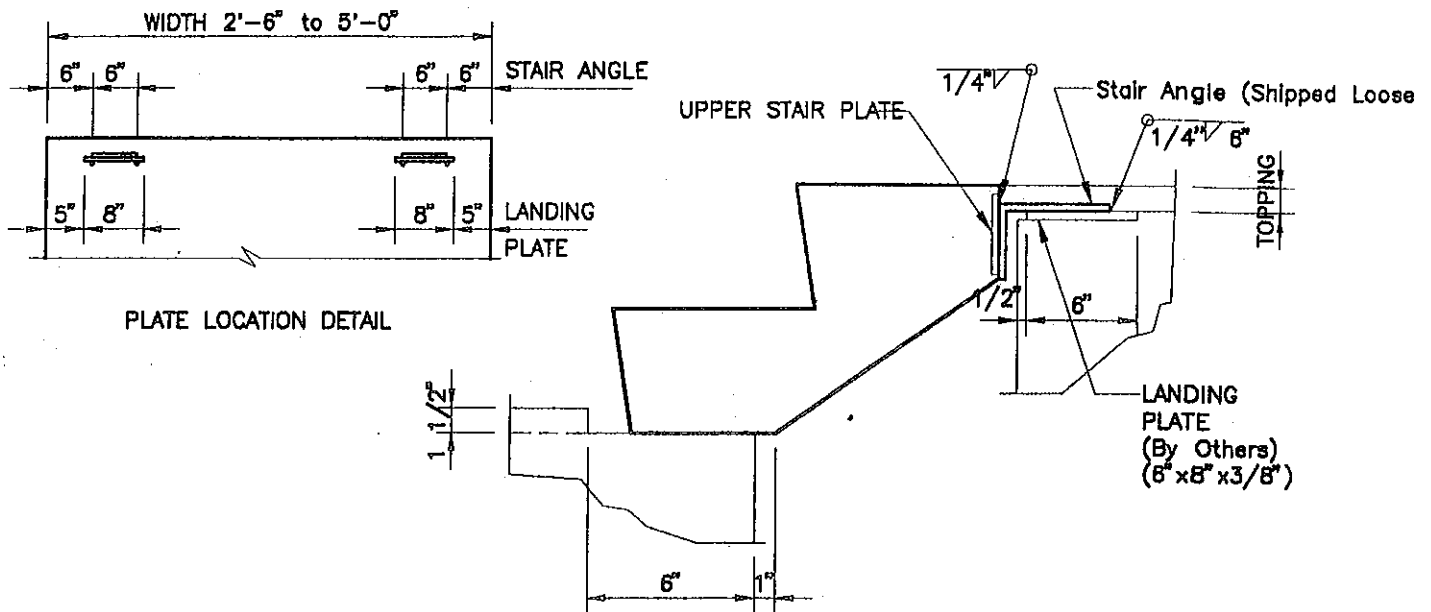


UPPER STAIR PLATE LOCATION



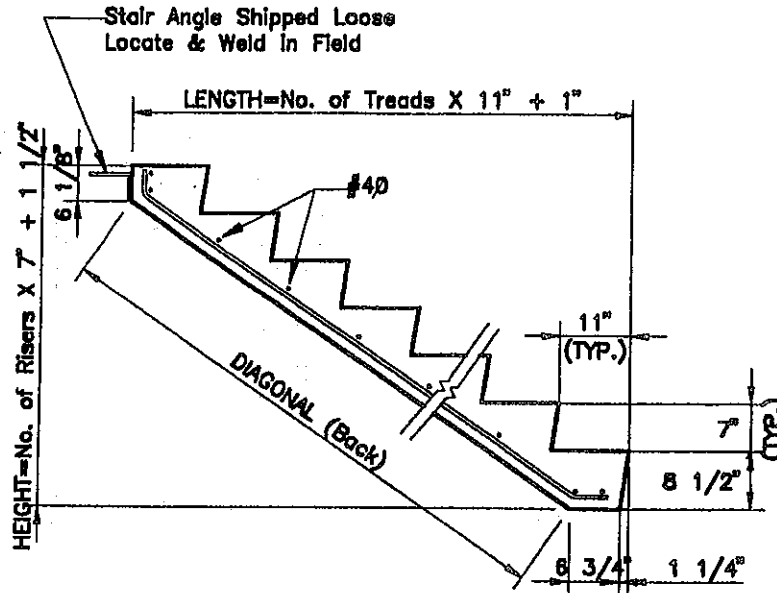
RISERS	TREADS	LENGTH	HEIGHT	DIAGONAL (BACK)	WT./FT. WIDTH
3	3	2'-10"	1'-9 3/4"	2'-6 3/8"	235
4	4	3'-9"	2'-4 1/2"	3'-7 1/4"	335
5	5	4'-8"	2'-11 1/4"	4'-8 1/4"	435
6	6	5'-7"	3'-6"	5'-9 1/8"	535
7	7	6'-6"	4'-0 3/4"	6'-10"	635
8	8	7'-5"	4'-7 1/2"	7'-10 7/8"	735
9	9	8'-4"	5'-2 1/4"	8'-11 3/4"	835
10	10	9'-3"	5'-9"	10'-0 3/4"	936
11	11	10'-2"	6'-3 3/4"	11'-1 5/8"	1036
12	12	11'-1"	6'-10 1/2"	12'-2 1/2"	1136
13	13	12'-0"	7'-5 1/4"	13'-1 1/4"	1385
14	14	12'-11"	8'-0"	14'-2 1/8"	1499
15	15	13'-10"	8'-6 3/4"	15'-3"	1613
16	16	14'-9"	9'-1 1/2"	16'-3 7/8"	1726
17	17	15'-8"	9'-8 1/4"	17'-4 3/4"	1814
18	18	16'-7"	10'-3"	18'-5 3/4"	1954

CORESLAB STRUCTURES

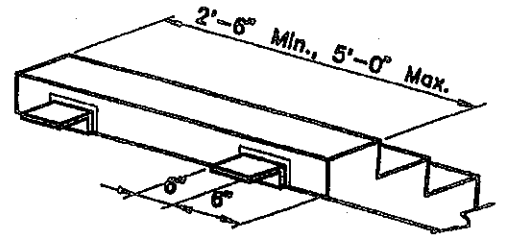


PRECAST STAIRS WITH 11" TREAD AND 7" RISER

CORESLAB STRUCTURES



UPPER STAIR PLATE LOCATION



RISERS	TREADS	LENGTH	HEIGHT	DIAGONAL (BACK)	WT./FT. WIDTH
3	3	2'-10"	1'-10 1/2"	2'-6 7/8"	239
4	4	3'-9"	2'-5 1/2"	3'-7 7/8"	340
5	5	4'-8"	3'-0 1/2"	4'-9"	441
6	6	5'-7"	3'-7 1/2"	5'-10"	542
7	7	6'-6"	4'-2 1/2"	6'-11"	643
8	8	7'-5"	4'-9 1/2"	8'-0"	744
9	9	8'-4"	5'-4 1/2"	9'-1 1/8"	846
10	10	9'-3"	5'-11 1/2"	10'-2 1/8"	947
11	11	10'-2"	6'-6 1/2"	11'-3 1/4"	1048
12	12	11'-1"	7'-1 1/2"	12'-4 1/4"	1149
13	13	12'-0"	7'-8 1/2"	13'-3"	1402
14	14	12'-11"	8'-3 1/2"	14'-4 1/8"	1516
15	15	13'-10"	8'-10 1/2"	15'-5 1/8"	1631
16	16	14'-9"	9'-5 1/2"	16'-6 1/4"	1746
17	17	15'-8"	10'-0 1/2"	17'-7 1/4"	1861
18	18	16'-7"	10'-7 1/2"	18'-8 1/4"	1976

CORES LAB STRUCTURES

