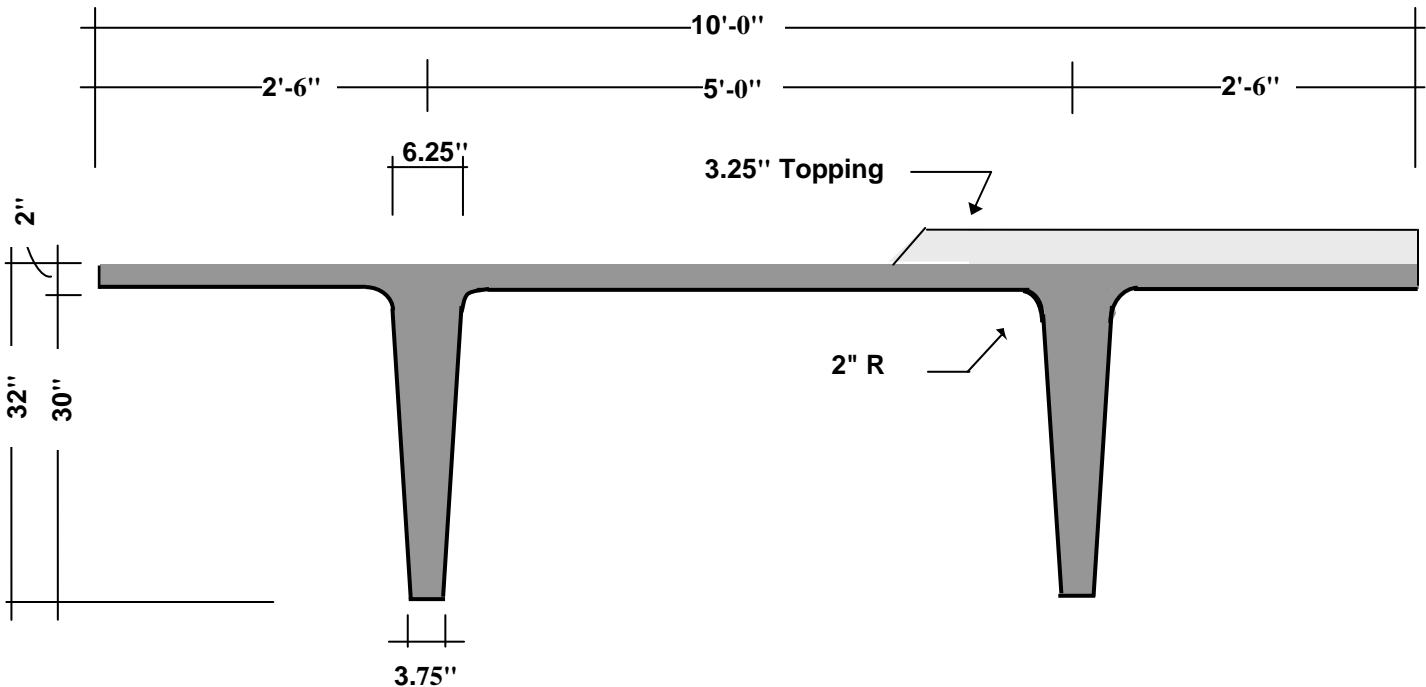


32" DOUBLE TEES 10' WIDE

| Section Properties | Non-Composite | Composite |
|----------------------------|---------------|-----------|
| A (in ²) | 540 | 842 |
| I (in ⁴) | 51120 | 74062 |
| y _b (in) | 22.81 | 26.69 |
| St (in ³) | 5560 | *13940 |
| Sb (in ³) | 2242 | 2775 |
| Normal Weight (150 pcf) | 56 psf | 97 psf |
| | 562 plf | 969 plf |

* At top of precast



| Allowable Superimposed Service Loads, Pounds per Square Foot | | | | | | | | | | | | | | | |
|--|-----|-----|-----|-----|-----|-----|-----|-----|----|----|----|----|----|----|----|
| Non-Composite | | | | | | | | | | | | | | | |
| Span (ft) | | | | 68 | 70 | 72 | 74 | 76 | 78 | 80 | 82 | 84 | 86 | 88 | 90 |
| Load (psf) | | | | 70 | 66 | 61 | 57 | 53 | 50 | 47 | 44 | 41 | 38 | 36 | 34 |
| Composite (3¼" Topping) | | | | | | | | | | | | | | | |
| Span (ft) | 44 | 46 | 48 | 50 | 52 | 54 | 56 | 58 | 60 | 62 | 64 | 66 | 68 | 70 | 72 |
| Load (psf) | 206 | 188 | 170 | 151 | 136 | 123 | 114 | 102 | 92 | 84 | 78 | 71 | 64 | 57 | 49 |