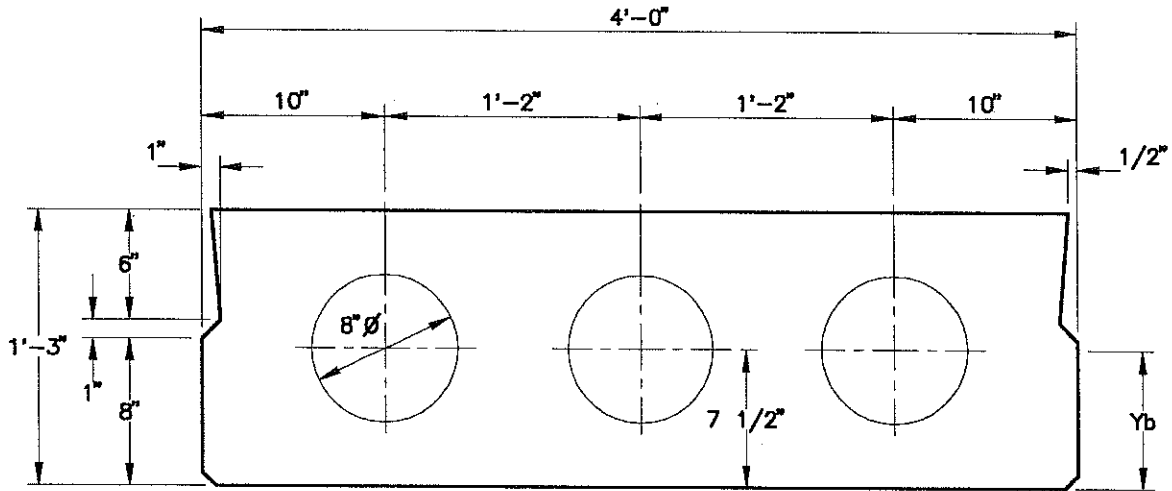


15" x 4'-0" HIGHWAY DECK SLAB

CORES LAB STRUCTURES

Normal Weight Concrete



Physical Properties

A = 559.20 in²
 I = 12714.2 in⁴
 Yb = 7.43 in
 Sb = 1711 in³
 St = 1680 in³
 Wt. = 583 P.L.F.

f'c = 5000 psi
 fpu = 270,000 psi
 Low Relaxation Strand

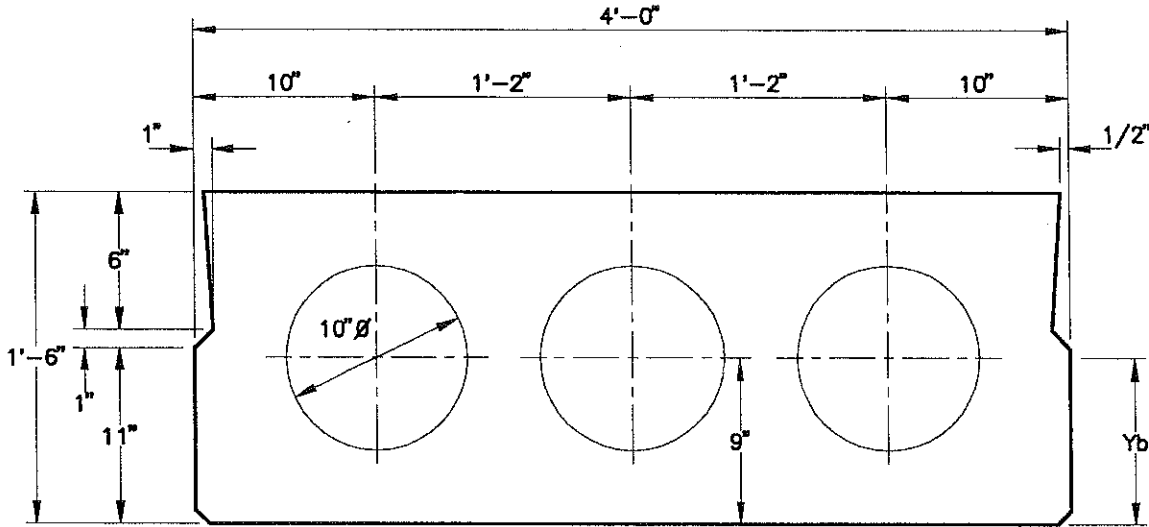
DESIGN CRITERIA
 15 PSF Surfacing
 12' Lane

TOTAL STRAND	1/2"Ø 270K STRAND PATTERN			MAX. SPAN IN FEET			
				H 15-44	HS 15-44	H 20-44	HS 20-44
12	8 @ 3"		4 @ 12"	25	25	25	25
14	10 @ 3"		4 @ 12"	29	27	28	27
16	12 @ 3"		4 @ 12"	32	29	31	29
18	14 @ 3"		4 @ 12"	34	32	34	31
20	16 @ 3"		4 @ 12"	37	33	36	33
22	18 @ 3"		4 @ 12"	39	35	38	35
24	20 @ 3"		4 @ 12"	39	35	39	35
20	14 @ 3"	2 @ 5"	4 @ 12"	36	33	36	33
22	16 @ 3"	2 @ 5"	4 @ 12"	38	34	38	34
24	18 @ 3"	2 @ 5"	4 @ 12"	38	35	38	35
26	20 @ 3"	2 @ 5"	4 @ 12"	39	35	39	35
22	14 @ 3"	4 @ 5"	4 @ 12"	37	34	37	34
24	16 @ 3"	4 @ 5"	4 @ 12"	38	34	38	34
26	18 @ 3"	4 @ 5"	4 @ 12"	38	35	38	35
28	20 @ 3"	4 @ 5"	4 @ 12"	39	35	39	35

18" x 4'-0" HIGHWAY DECK SLAB

**CORES LAB
STRUCTURES**

Normal Weight Concrete



Physical Properties

- A = 618.38 in²
- I = 21546.6 in⁴
- Yb = 8.91 in
- Sb = 2418 in³
- St = 2370 in³
- Wt. = 644 P.L.F.

- f'c = 5000 psi
- fpu = 270,000 psi
- Low Relaxation Strand

- DESIGN CRITERIA
- 15 PSF Surfacing
- 12' Lane

TOTAL STRAND	1/2"Ø 270K STRAND PATTERN			MAX. SPAN IN FEET			
				H 15-44	HS 15-44	H 20-44	HS 20-44
12	8 @ 3"		4 @ 15"	30	28	29	28
14	10 @ 3"		4 @ 15"	34	31	33	31
16	12 @ 3"		4 @ 15"	37	34	37	34
18	14 @ 3"		4 @ 15"	40	36	40	36
20	16 @ 3"		4 @ 15"	42	39	42	38
22	18 @ 3"		4 @ 15"	46	40	46	40
24	20 @ 3"		4 @ 15"	48	42	48	42
20	14 @ 3"	2 @ 5"	4 @ 15"	42	38	42	38
22	16 @ 3"	2 @ 5"	4 @ 15"	46	40	46	40
24	18 @ 3"	2 @ 5"	4 @ 15"	48	42	48	42
26	20 @ 3"	2 @ 5"	4 @ 15"	50	44	50	42
22	14 @ 3"	4 @ 5"	4 @ 15"	44	40	44	40
24	16 @ 3"	4 @ 5"	4 @ 15"	48	42	48	42
26	18 @ 3"	4 @ 5"	4 @ 15"	48	42	48	42
28	20 @ 3"	4 @ 5"	4 @ 15"	50	44	50	42