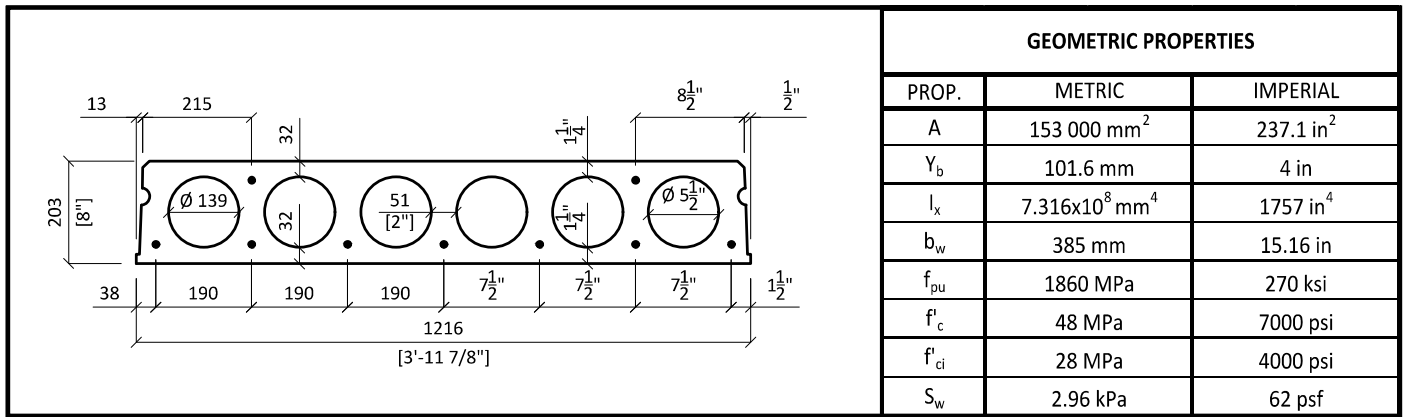


## CORESLAB 8 INCH IMPERIAL LOAD TABLE

# of 1/2" Ø strands	M <sub>r</sub> (lb·ft)	TOTAL UNIFORMLY DISTRIBUTED SUPERIMPOSED SERVICE LOAD - lbs/ft <sup>2</sup>																			
		SIMPLE SPAN - CENTRE TO CENTRE OF BEARING - FEET																			
		14	15	16	17	18	19	20	21	22	23	24	25	26	27	28	29	30	31	32	33
7	106660	674	580	504	440	387	342	304	271	242	217	195	176	159	143	130	117	106	96	87	79
6	96050	602	517	449	391	344	303	268	239	213	190	171	153	138	124	112	101	91	82	73	
5	80720	497	427	369	321	281	246	217	192	171	152	135	121	108	96	86	76	68	60		
4	66960	404	345	297	257	224	196	172	151	133	117	103	91	80	71	62	54				
3	39060	214	180	152	129	109	93	79	66	56											

\* SEE NOTES BELOW



## CORESLAB 203mm METRIC LOAD TABLE

# of 13mm Ø strands	M <sub>r</sub> (kN·m)	TOTAL UNIFORMLY DISTRIBUTED SUPERIMPOSED SERVICE LOAD - kPa (kN/m <sup>2</sup> )																			
		SIMPLE SPAN - CENTRE TO CENTRE OF BEARING - METRES																			
		4.00	4.50	5.00	5.50	6.00	6.50	7.00	7.25	7.50	7.75	8.00	8.25	8.50	8.75	9.00	9.25	9.50	9.75	10.00	10.50
7	144.50	37.0	28.7	22.8	18.4	15.1	12.5	10.4	9.5	8.8	8.0	7.4	6.8	6.3	5.8	5.3	4.9	4.5	4.2	3.8	3.3
6	130.20	33.1	25.6	20.3	16.3	13.3	11.0	9.1	8.4	7.6	7.0	6.4	5.9	5.4	5.0	4.6	4.2	3.8	3.5	3.2	
5	109.40	27.4	21.1	16.6	13.3	10.8	8.8	7.3	6.6	6.0	5.5	5.0	4.6	4.1	3.8	3.4	3.1	2.8			
4	90.70	22.3	17.1	13.4	10.6	8.5	6.9	5.6	5.1	4.6	4.1	3.7	3.4	3.0	2.7						
3	52.90	12.0	8.9	6.8	5.2	4.0	3.0														

\* SEE NOTES BELOW



205 CORESLAB DRIVE, DUNDAS, ONT., L9H 0B3  
 EMAIL: salesontario@coreslab.com PHONE: (905) 689 3993  
 www.coreslab.com

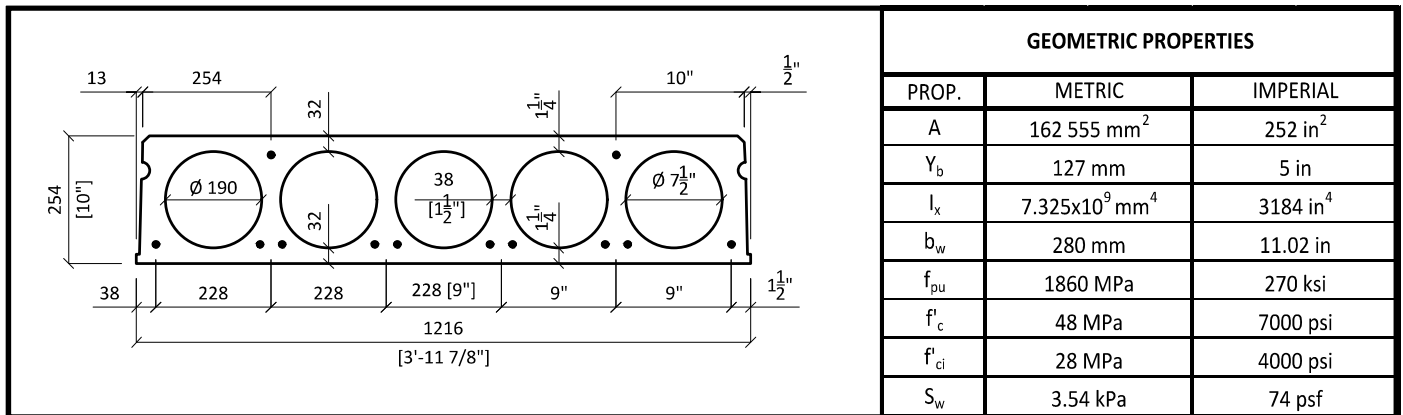
**NOTES:**

- SHADED PORTION OF TABLE GOVERNED BY SHEAR CAPACITY OF SLAB
- TABLE BASED ON MAXIMUM DEFLECTION OF L/360
- LINEAR INTERPOLATION IS PERMITTED
- OPENINGS & PENETRATIONS MAY REDUCE THE CAPACITY OF THE HOLLOWCORE SYSTEM. CONTACT CORESLAB STRUCTURES (ONT) INC. FOR FURTHER GUIDANCE
- CONTACT CORESLAB STRUCTURES (ONT) INC. TO ADDRESS LINEAR LOADS, CONCENTRATED LOADS, OTHER LOADING CONDITIONS AND PERMISSIBLE CANTILEVER LENGTHS

## CORESLAB 10 INCH IMPERIAL LOAD TABLE

# of 1/2" Ø strands	M <sub>r</sub> (lb-ft)	TOTAL UNIFORMLY DISTRIBUTED SUPERIMPOSED SERVICE LOAD - lbs/ft <sup>2</sup>																			
		SIMPLE SPAN - CENTRE TO CENTRE OF BEARING - FEET																			
		24	25	26	27	28	29	30	31	32	33	34	35	36	37	38	39	40	41	42	43
10	179820	357	324	295	268	245	224	204	188	172	158	145	133	122	112	103	94	86	79	72	66
9	170978	334	303	276	251	229	209	192	176	161	148	136	124	114	105	96	88	81	74	68	62
8	159615	308	279	253	230	210	191	175	160	146	134	122	112	103	94	86	78	71	65	59	53
7	144340	272	246	223	202	184	167	152	139	126	115	105	95	87	79	72	65	59	53	47	
6	126867	232	209	189	170	154	139	126	114	104	94	85	76	69	62	55	50				
5	107633	187	168	151	135	121	109	98	88	78	70	62	55								
4	87433	141	125	111	98	87	77	68	60	52											

\* SEE NOTES BELOW



## CORESLAB 254mm METRIC LOAD TABLE

# of 13mm Ø strands	M <sub>r</sub> (kN·m)	TOTAL UNIFORMLY DISTRIBUTED SUPERIMPOSED SERVICE LOAD - kPa (kN/m <sup>2</sup> )																			
		SIMPLE SPAN - CENTRE TO CENTRE OF BEARING - METRES																			
		7.00	7.50	8.00	8.50	9.00	9.50	10.00	10.25	10.50	10.75	11.00	11.25	11.50	11.75	12.00	12.25	12.50	12.75	13.00	13.50
10	245.30	18.1	16.2	14.3	12.4	10.5	9.2	8.4	7.5	7.0	6.4	5.9	5.6	5.1	4.9	4.6	4.2	4.0	3.7	3.4	2.9
9	231.80	17.7	15.1	12.9	11.1	9.6	8.3	7.2	6.7	6.2	5.8	5.4	5.1	4.7	4.4	4.1	3.8	3.5	3.3	3.0	2.6
8	216.39	16.3	13.9	11.8	10.1	8.7	7.5	6.5	6.0	5.6	5.2	4.9	4.5	4.2	3.9	3.6	3.4	3.1	2.9	2.6	
7	195.68	14.5	12.2	10.4	8.9	7.6	6.5	5.6	5.2	4.8	4.4	4.1	3.8	3.5	3.2	3.0	2.7	2.5	2.3		
6	172.00	12.4	10.4	8.8	7.5	6.3	5.4	4.6	4.2	3.9	3.6	3.3	3.0	2.7	2.5						
5	145.92	10.1	8.4	7.0	5.9	4.9	4.1	3.4	3.1	2.8											
4	118.55	7.6	6.3	5.1	4.2	3.4	2.8														

\* SEE NOTES BELOW

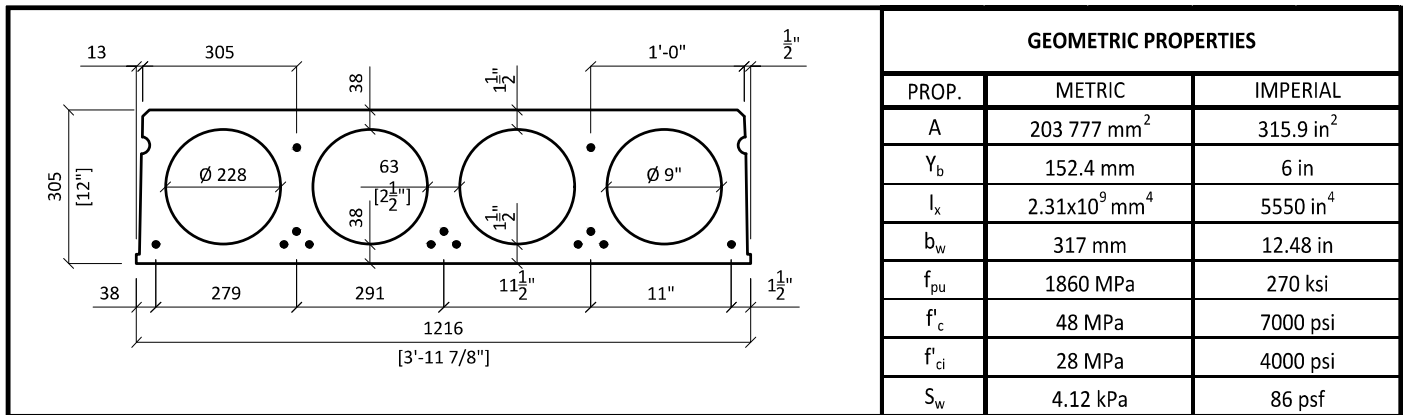
**NOTES:**

- SHADED PORTION OF TABLE GOVERNED BY SHEAR CAPACITY OF SLAB
- TABLE BASED ON MAXIMUM DEFLECTION OF L/360
- LINEAR INTERPOLATION IS PERMITTED
- OPENINGS & PENETRATIONS MAY REDUCE THE CAPACITY OF THE HOLLOWCORE SYSTEM. CONTACT CORESLAB STRUCTURES (ONT) INC. FOR FURTHER GUIDANCE
- CONTACT CORESLAB STRUCTURES (ONT) INC. TO ADDRESS LINEAR LOADS, CONCENTRATED LOADS, OTHER LOADING CONDITIONS AND PERMISSIBLE CANTILEVER LENGTHS

## CORESLAB 12 INCH IMPERIAL LOAD TABLE

# of 1/2" Ø strands	M <sub>r</sub> (lb-ft)	TOTAL UNIFORMLY DISTRIBUTED SUPERIMPOSED SERVICE LOAD - lbs/ft <sup>2</sup>																			
		SIMPLE SPAN - CENTRE TO CENTRE OF BEARING - FEET																			
		31	32	33	34	35	36	37	38	39	40	41	42	43	44	45	46	47	48	49	50
11	260750	290	268	248	229	212	197	182	169	157	146	135	125	116	108	100	93	86	79	73	67
10	246700	271	250	230	213	197	182	169	156	145	134	124	115	106	98	91	84	77	71	65	60
9	222080	236	217	200	184	170	157	145	133	123	113	104	96	88	81	75	68	62	57	52	47
8	207720	217	199	183	168	154	142	131	120	110	101	93	85	78	71	65	59	54	49	44	
7	188440	190	174	159	146	133	122	112	102	94	85	78	71	64	58	52	47				
6	166780	160	145	133	121	110	100	91	82	75	67	61	54								
5	142090	125	113	102	92	83	75	67	60	53											

\* SEE NOTES BELOW



## CORESLAB 305mm METRIC LOAD TABLE

# of 13mm Ø strands	M <sub>r</sub> (kN-m)	TOTAL UNIFORMLY DISTRIBUTED SUPERIMPOSED SERVICE LOAD - kPa (kN/m <sup>2</sup> )																			
		SIMPLE SPAN - CENTRE TO CENTRE OF BEARING - METRES																			
		9.50	10.00	10.50	11.00	11.50	12.00	12.25	12.50	12.75	13.00	13.25	13.50	13.75	14.00	14.25	14.50	14.75	15.00	15.25	15.50
11	353.30	13.7	12.0	10.6	9.3	8.2	7.3	6.9	6.4	6.1	5.7	5.4	5.0	4.7	4.4	4.2	3.9	3.7	3.4	3.2	3.0
10	334.30	12.7	11.2	9.8	8.6	7.6	6.7	6.3	5.9	5.6	5.2	4.9	4.6	4.3	4.0	3.8	3.5	3.3	3.1	2.8	2.6
9	330.90	12.6	11.0	9.7	8.5	7.5	6.6	6.2	5.8	5.5	5.1	4.8	4.5	4.2	3.9	3.7	3.4	3.2	3.0	2.7	
8	281.50	10.2	8.9	7.7	6.7	5.9	5.1	4.8	4.4	4.1	3.8	3.6	3.3	3.1	2.8	2.6	2.4	2.2	2.0		
7	255.30	8.9	7.7	6.7	5.8	5.0	4.3	4.0	3.7	3.4	3.2	2.9	2.7	2.5	2.3						
6	226.00	7.5	6.4	5.5	4.7	4.0	3.4	3.1	2.9	2.6											
5	192.50	5.9	5.0	4.2	3.5	2.9	2.4														

\* SEE NOTES BELOW

**NOTES:**

- SHADED PORTION OF TABLE GOVERNED BY SHEAR CAPACITY OF SLAB
- TABLE BASED ON MAXIMUM DEFLECTION OF L/360
- LINEAR INTERPOLATION IS PERMITTED
- OPENINGS & PENETRATIONS MAY REDUCE THE CAPACITY OF THE HOLLOWCORE SYSTEM. CONTACT CORESLAB STRUCTURES (ONT) INC. FOR FURTHER GUIDANCE
- CONTACT CORESLAB STRUCTURES (ONT) INC. TO ADDRESS LINEAR LOADS, CONCENTRATED LOADS, OTHER LOADING CONDITIONS AND PERMISSIBLE CANTILEVER LENGTHS

## CORESLAB 14 INCH IMPERIAL LOAD TABLE

# of 1/2" Ø strands	M <sub>r</sub> (lb-ft)	TOTAL UNIFORMLY DISTRIBUTED SUPERIMPOSED SERVICE LOAD - lbs/ft <sup>2</sup>																			
		SIMPLE SPAN - CENTRE TO CENTRE OF BEARING - FEET																			
		31	32	33	34	35	36	37	38	39	40	41	42	43	44	45	46	47	48	49	50
13	390169	462	429	399	371	345	322	301	281	263	246	230	216	210	197	185	174	164	154	145	129
12	364354	426	395	367	341	317	296	276	257	240	224	210	196	191	179	168	158	148	139	131	115
11	337064	388	360	334	310	288	268	249	232	216	202	188	176	171	160	150	141	132	123	116	101
10	309775	351	324	300	278	258	240	223	207	192	179	167	155	152	142	132	124	115	108	100	86
9	281747	312	288	266	246	227	211	195	181	168	156	144	134	131	122	114	106	98	91	85	71
8	252983	272	250	231	213	196	181	167	154	143	132	121	112	111	103	95	88	81	75	69	
7	223480	231	212	194	179	164	151	138	127	117	107	98	90	89	82	75	69				
6	193240	189	172	157	144	131	120	109	99	90	82	74	67								
5	163000	147	133	120	109	98	89	80	71	64											

\* SEE NOTES BELOW

GEOMETRIC PROPERTIES		
PROP.	METRIC	IMPERIAL
A	223 840 mm <sup>2</sup>	346.95 in <sup>2</sup>
Y <sub>b</sub>	177 mm	7 in
I <sub>x</sub>	3.51x10 <sup>9</sup> mm <sup>4</sup>	8430 in <sup>4</sup>
b <sub>w</sub>	350 mm	13.80 in
f <sub>pu</sub>	1860 MPa	270 ksi
f' <sub>c</sub>	48 MPa	7000 psi
f' <sub>ci</sub>	28 MPa	4000 psi
S <sub>w</sub>	4.52 kPa	95 psf

## CORESLAB 355mm METRIC LOAD TABLE

# of 13mm Ø strands	M <sub>r</sub> (kN-m)	TOTAL UNIFORMLY DISTRIBUTED SUPERIMPOSED SERVICE LOAD - kPa (kN/m <sup>2</sup> )																			
		SIMPLE SPAN - CENTRE TO CENTRE OF BEARING - METRES																			
		9.50	10.00	10.50	11.00	11.50	12.00	12.25	12.50	12.75	13.00	13.25	13.50	13.75	14.00	14.25	14.50	14.75	15.00	15.25	15.50
13	529.00	21.8	19.3	17.2	15.3	13.7	12.3	11.6	11.0	10.5	9.9	9.4	8.9	8.5	8.0	7.6	7.2	6.9	6.5	6.2	5.9
12	494.00	20.1	17.8	15.8	14.1	12.6	11.2	10.6	10.0	9.5	9.0	8.5	8.1	7.6	7.2	6.9	6.5	6.2	5.8	5.5	5.2
11	457.00	18.4	16.2	14.3	12.7	11.3	10.1	9.5	9.0	8.5	8.0	7.6	7.2	6.8	6.4	6.1	5.7	5.4	5.1	4.8	4.5
10	420.00	16.6	14.6	12.9	11.4	10.1	9.0	8.5	8.0	7.5	7.1	6.7	6.3	5.9	5.6	5.3	5.0	4.7	4.4	4.1	3.9
9	382.00	14.7	12.9	11.4	10.0	8.9	7.8	7.4	6.9	6.5	6.1	5.7	5.4	5.1	4.7	4.5	4.2	3.9	3.7	3.4	
8	343.00	12.8	11.2	9.8	8.6	7.6	6.6	6.2	5.8	5.5	5.1	4.8	4.5	4.2	3.9	3.6	3.4	3.1	2.9		
7	303.00	10.9	9.5	8.2	7.2	6.2	5.4	5.1	4.7	4.4	4.1	3.8	3.5	3.2	3.0						
6	262.00	8.9	7.7	6.6	5.7	4.9	4.2	3.9	3.6	3.3											
5	221.00	6.9	5.9	5.0	4.2	3.5	2.9														

\* SEE NOTES BELOW

CORESLAB  
STRUCTURES

205 CORESLAB DRIVE, DUNDAS, ONT., L9H 0B3  
EMAIL: salesontario@coreslab.com PHONE: (905) 689 3993  
www.coreslab.com

(ONT) INC.

**NOTES:**

- SHADED PORTION OF TABLE GOVERNED BY SHEAR CAPACITY OF SLAB
- TABLE BASED ON MAXIMUM DEFLECTION OF L/360
- LINEAR INTERPOLATION IS PERMITTED
- OPENINGS & PENETRATIONS MAY REDUCE THE CAPACITY OF THE HOLLOWCORE SYSTEM, CONTACT CORESLAB STRUCTURES (ONT) INC. FOR FURTHER GUIDANCE
- CONTACT CORESLAB STRUCTURES (ONT) INC. TO ADDRESS LINEAR LOADS, CONCENTRATED LOADS, OTHER LOADING CONDITIONS AND PERMISSIBLE CANTILEVER LENGTHS